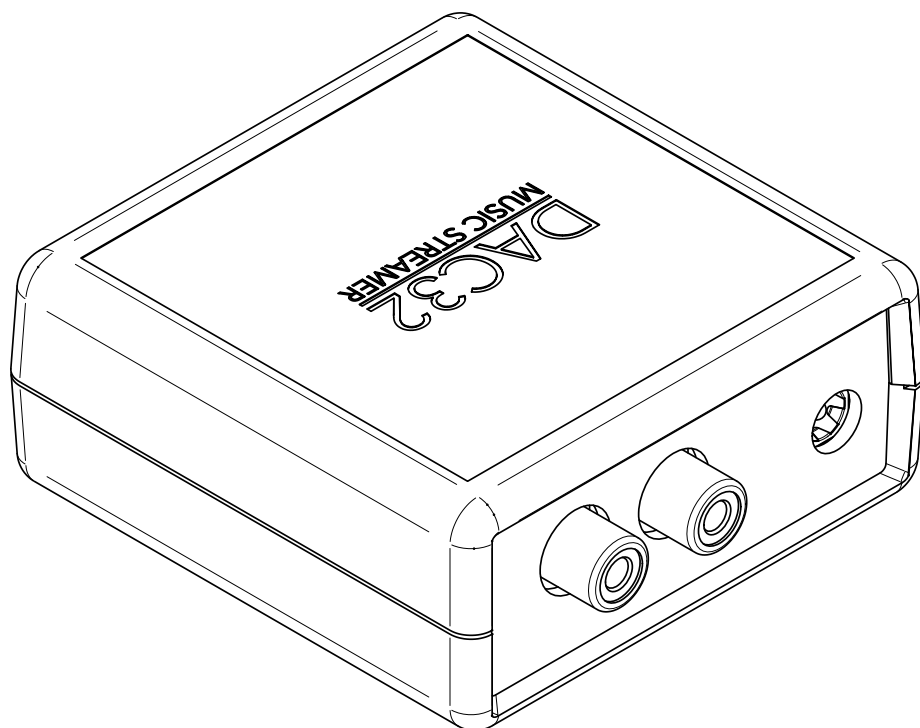


User Manual



PolyVection

DAC32

Issue 1 - Feb 2021

Content

General Notes	2	Operation	2
Unpacking	3	Troubleshooting	3
Preparation	4	Technical Specifications	4
Installation	5	Declaration of Conformity	5
Setting Up	6		

General Notes

Proper Use

The DAC32 music streamer is designed for the playback of music and speech transmitted wirelessly from an external source.

Only use DAC32 as described in this manual. Any other use will be deemed as not in accordance with the instructions and may lead to damage of property or even persons.

The manufacturer accepts no liability for damage caused by improper use.

DAC32 is intended for private use.

Safety Notes

The enclosed brochure “Quick Start Guide and Important Product Information” contains general safety notes which you should always observe to protect yourself and third parties. Also be sure to observe any warning notes contained in this user manual.

Before operating the product, please first read the safety notes and this user manual carefully. Only in this way, can you ensure that all functions are used in a safe and reliable manner.

Keep the enclosed documents in a safe place and also be sure to pass it on to any subsequent owner.

Unpacking

Package contents

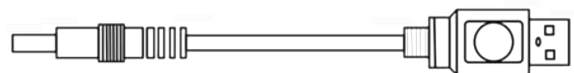
1. DAC32 music steamer
2. USB-A to 2.1 mm DC power cable
3. Brochure “Quick Start Guide and Important Product Information”

- Check that all items have been delivered and that nothing is damaged. If you find any damage, do not operate the device; instead contact us (contact information on last page).

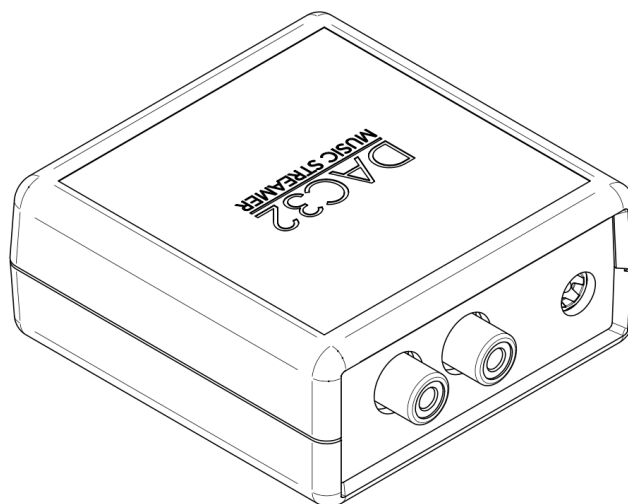
- Please keep the packaging for the duration of the warranty period.



(3)



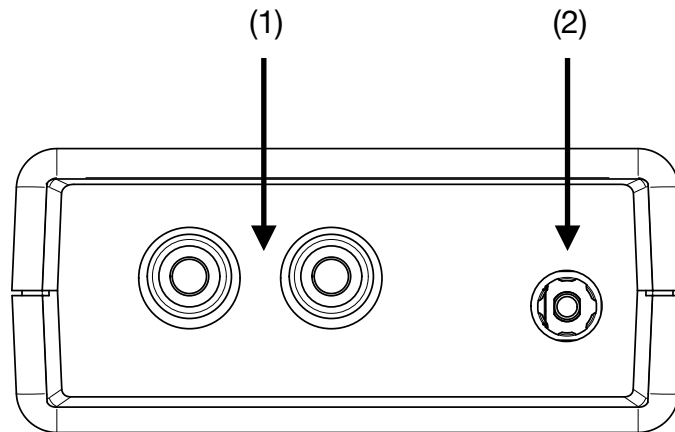
(2)



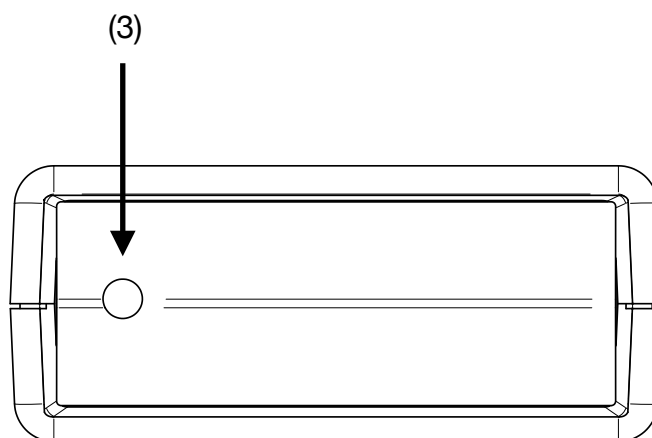
(1)

Connections and Status LED

1. Audio output LINE-OUT
2. 2.1 mm DC input (5 V only)
3. Status LED



Backside



Frontside

Preparations

To be able to integrate the DAC32 music streamer in your network and to ensure smooth operation, we recommend an up-to-date, high performance router with a broadband Internet connection.

Make sure that the Wi-Fi router is active, has the latest firmware and is able to access the Internet.

To the extent possible, the router should be positioned in the middle of your home in order to ensure an adequate Wi-Fi signal throughout your home.

Getting Started

Please refer to the Quick Start Guide physically supplied with your DAC32 and also available at:

<https://polyvection.com/product/dac32/downloads/dac32-qsg>

Operation

Slimserver SqueezeLite

DAC32 implements SqueezeLite and therefore acts as a player endpoint for the slimserver multiroom platform.

No further action is required. Once connected to your network it is discoverable as a slimserver player.

Bluetooth compatibility

By default DAC32 listens for incoming bluetooth connections. It is freely discoverable and you can easily connect to it from any phone, tablet or computer.

Firmware updates

The firmware running on DAC32 can easily be updated. Please watch the downloads section of the DAC32 product website for any new release.

For installing it open the embedded Webserver in your browser and then navigate to UPDATES. Follow the instructions shown there.

AirPlay compatibility

The open source community software that DAC32 runs on supports streaming music from your iDevice.

This functionality is enabled by default and can immediately be used without further configurations.

Device naming

You can change the DAC32 device name. Navigate to its embedded web server by using its IP address and then click on SYSTEM. You can assign a new name there.

Troubleshooting

The following advice should help you to solve problems. If this does not work, please contact us.

Problem	Possible cause & solution
The LED does not illuminate	Make sure your power supply is properly connected and supplies 5 V DC.
Setup Fails	Restart your router and your smartphone or tablet. Set up the device near your router and switch any repeaters off for the duration of the setup process. If your router provides guest access, do not use it to connect your DAC32.
Music playback skips or is interrupted	Check your WiFi connection and signal strength. Try moving your DAC32 closer to your WiFi access point.

Technical Data

Power Input Connector	2.1/5.5 mm barrel connector
Power Input	5 V DC @ 500 mA
Analogue Output Connector	2x gold plated RCA
Analogue Output	up to 2.1 V RMS
THD+N	better than 0.005 %
WLAN	b/g/n 2.4 GHz
Bluetooth	5.0
Supported Sample Rates	44.1, 48, 88.2, 96, 176.4 (automatic resampling to 96 kHz), 192 kHz (automatic resampling to 96 kHz) @ 16 or 24 bit
Packaging Contains	DAC32, USB-A to 2.1 mm power cable, Quick Start Guide, leaflet
Dimensions	72 x 67 x 28 mm
Weight	110 g

Declaration of Conformity



PolyVection UG hereby declares that this product complies with the requirements of the directives 2014/30/EU, 2014/35/EU and 2014/53/EU to the extent they are installed and used in accordance with the instructions of the manufacturer. The full text of the EU declaration of conformity is available at the following Internet address:

<https://polyvection.com/product/dac32/downloads/dac32-doc>

Please contact us directly with any questions, suggestions, or complaints:

PolyVection UG (haftungsbeschränkt)
Haus 99 Raum 210 / 211
Ruhlsdorfer Str. 95
14532 Stahnsdorf
Germany

support@polyvection.com

No responsibility is assumed for the correctness of this information. Technical changes, typographical errors and other errors reserved.