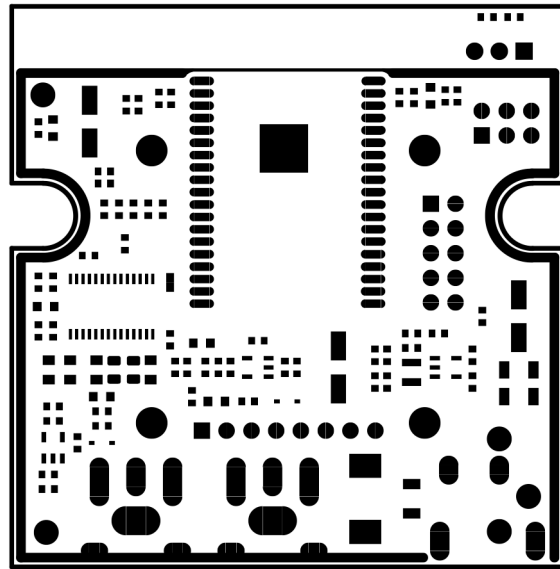


DAC32

Wireless Music Streamer



CONTENT

Page	Description
1	COVER PAGE
2	BLOCK DIAGRAM
3	AUDIO
4	POWER
5	MCU
6	CONNECTOR
7	SUPPRESSED COMPONENTS
8	REVISION HISTORY

PCB1

PCB Revision A

WEEE graphic



GR1

RoHS graphic



GR2

Sheet: Block Diagram

File: PV-PCB-009-003_blockdiagram.sch

Sheet: Suppressed Components

File: PV-PCB-009-003_suppressed.sch

Sheet: Revision History

File: PV-PCB-009-003_history.sch

PV-PCB-009-003 – Schematics
Wireless Music Streamer
All rights reserved.

PolyVection UG, Ruhlsdorfer Str. 95 H99 R210, 14532 Stahnsdorf, Germany

Sheet: /
File: PV-PCB-009-003.sch

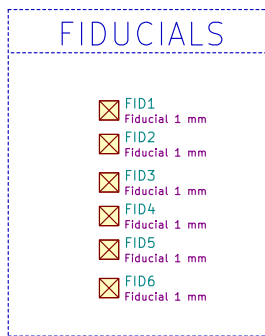
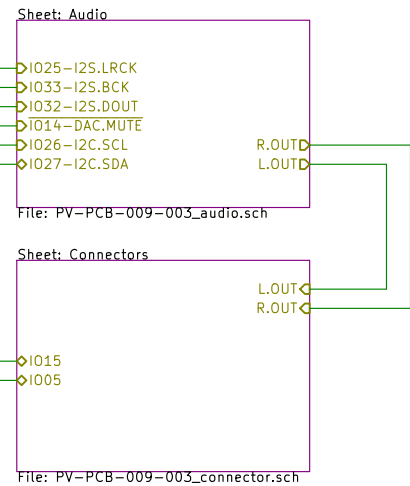
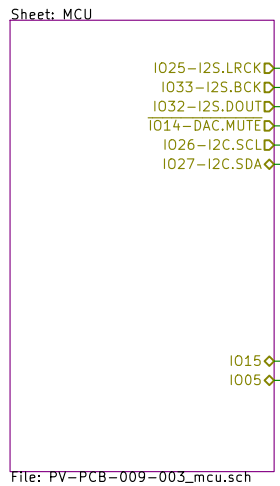
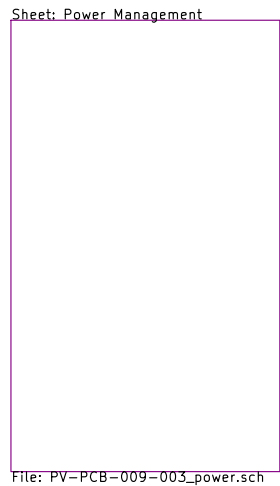
Title: DAC32 (PV-PCB-009-003)

Size: A4 Date: 2020-11-23

KiCad E.D.A. kicad (5.1.8-0-10_14)

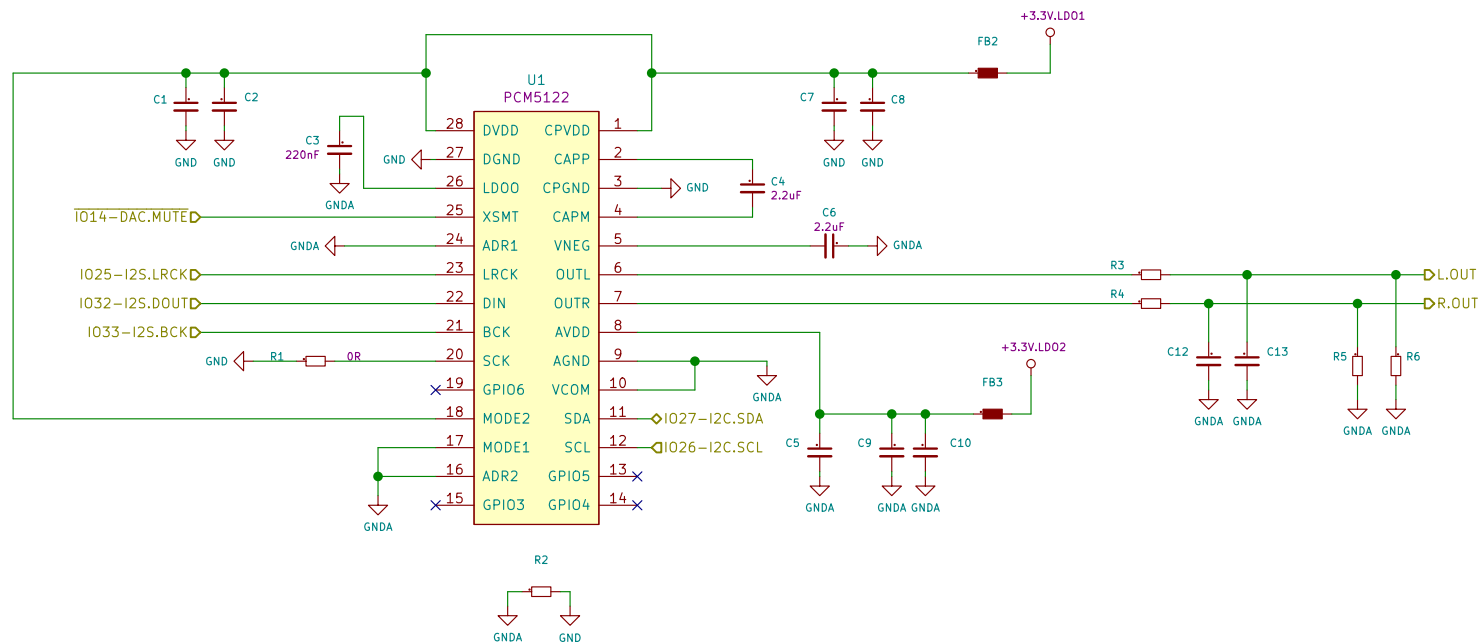
Rev: A

Id: 1/8



PV-PCB-009-003 - Schematics		
Wireless Music Streamer		
All rights reserved.		
PolyVection UG, Ruhlsdorfer Str. 95 H99 R210, 14532 Stahnsdorf, Germany		
Sheet: /Block_Diagram/		
File: PV-PCB-009-003_blockdiagram.sch		
Title: DAC32 (PV-PCB-009-003)		
Size: A4	Date: 2020-11-23	Rev: A
KiCad E.D.A. kicad (5.1.8-0-10_14)		Id: 2/8

Audio DAC single ended



PV-PCB-009-003 - Schematics
 Wireless Music Streamer
 All rights reserved.

PolyVection UG, Ruhlsdorfer Str. 95 H99 R210, 14532 Stahnsdorf, Germany

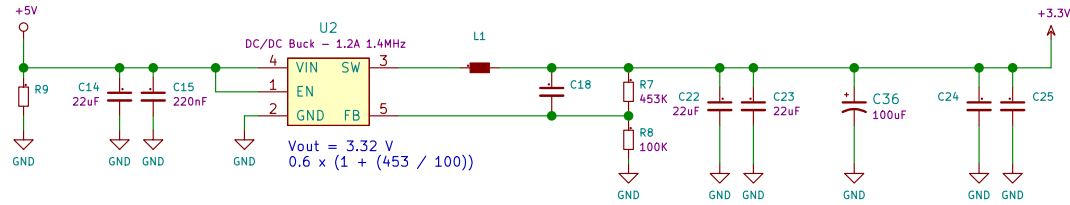
Sheet: /Block_Diagram/Audio/
 File: PV-PCB-009-003_audio.sch

Title: DAC32 (PV-PCB-009-003)

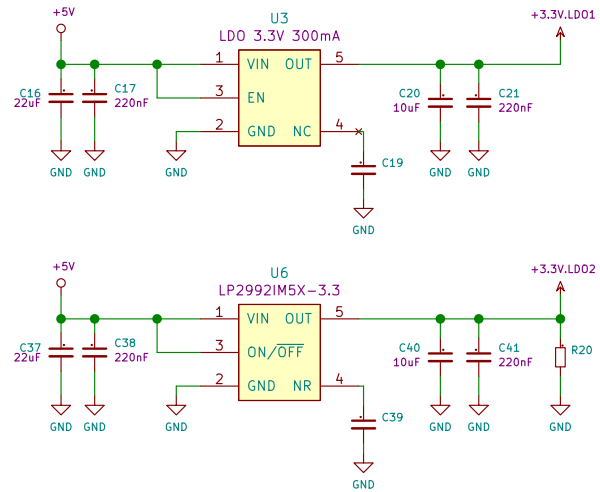
Size: A4 Date: 2020-11-23
 KiCad E.D.A. kicad (5.1.8-0-10_14)

Rev: A
 Id: 3/8

DC-DC BUCK



LDO



PV-PCB-009-003 - Schematics
 Wireless Music Streamer
 All rights reserved.

PolyVection UG, Ruhlsdorfer Str. 95 H99 R210, 14532 Stahnsdorf, Germany

Sheet: /Block_Diagram/Power Management/
 File: PV-PCB-009-003_power.sch

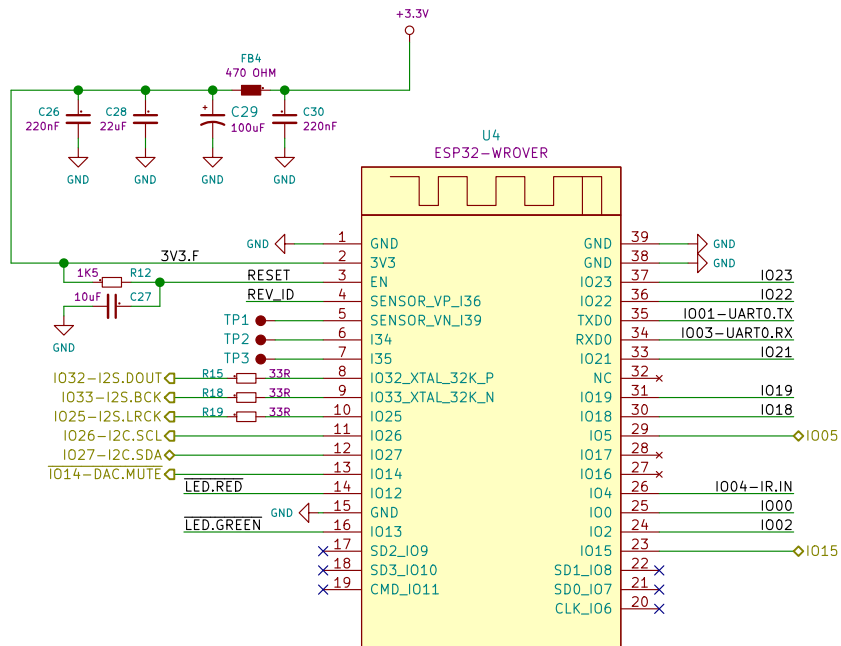
Title: DAC32 (PV-PCB-009-003)

Size: A4
 KiCad E.D.A. kicad (5.1.8-0-10_14)

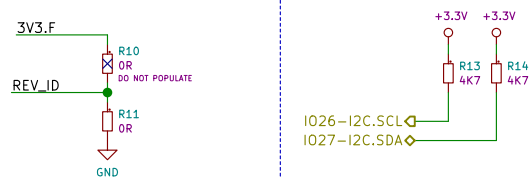
Date: 2020-11-23

Rev: A
 Id: 4/8

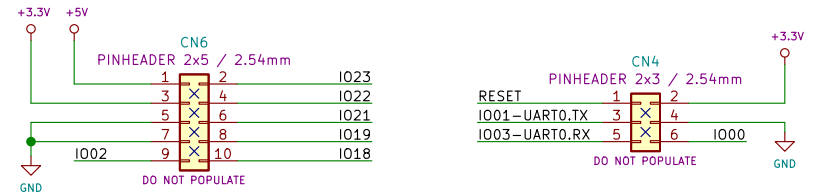
ESP32 MCU



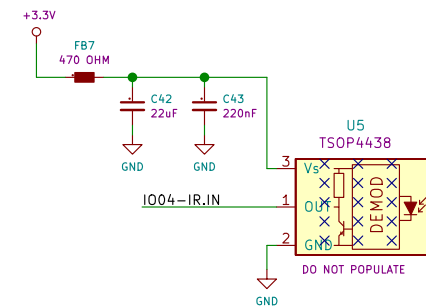
Rev.A = 0V



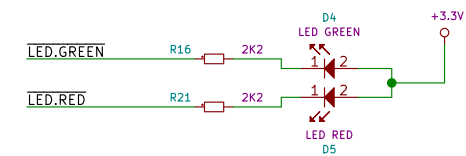
PIN HEADER



IR RECEIVER



RGB LED



PV-PCB-009-003 - Schematics
Wireless Music Streamer
All rights reserved.

PolyVection UG, Ruhlsdorfer Str. 95 H99 R210, 14532 Stahnsdorf, Germany

Sheet: /Block_Diagram/MCU/
File: PV-PCB-009-003_mcu.sch

Title: DAC32 (PV-PCB-009-003)

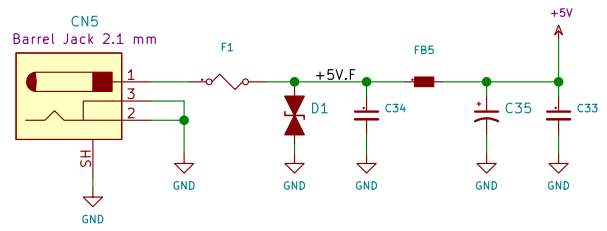
Size: A4 | Date: 2020-11-23

KiCad E.D.A. kicad (5.1.8-0-10_14)

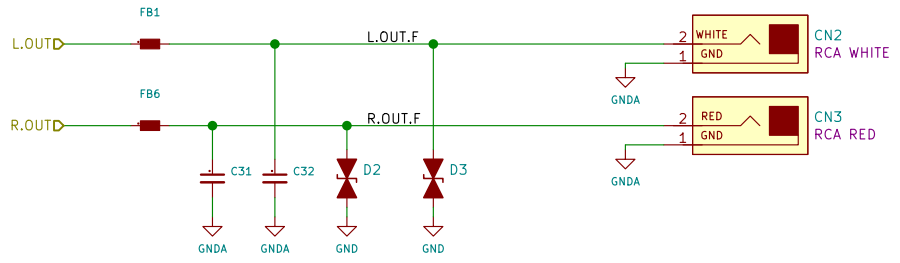
Rev: A

Id: 5/8

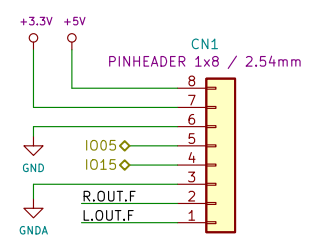
POWER INPUT



LINE OUTPUT



AUDIO PIN HEADER



PV-PCB-009-003 - Schematics
 Wireless Music Streamer
 All rights reserved.

PolyVection UG, Ruhlsdorfer Str. 95 H99 R210, 14532 Stahnsdorf, Germany

Sheet: /Block_Diagram/Connectors/
 File: PV-PCB-009-003_connector.sch

Title: DAC32 (PV-PCB-009-003)

Size: A4 Date: 2020-11-23
 KiCad E.D.A. kicad (5.1.8-0-10_14)

Rev: A
 Id: 6/8

COMPONENTS DELETED BETWEEN REVISIONS

PV-PCB-009-003 – Schematics
Wireless Music Streamer
All rights reserved.

PolyVection UG, Ruhlsdorfer Str. 95 H99 R210, 14532 Stahnsdorf, Germany

Sheet: /Suppressed Components/
File: PV-PCB-009-003_suppressed.sch

Title: DAC32 (PV-PCB-009-003)

Size: A4 Date: 2020-11-23

KiCad E.D.A. kicad (5.1.8-0-10_14)

Rev: A

Id: 7/8

